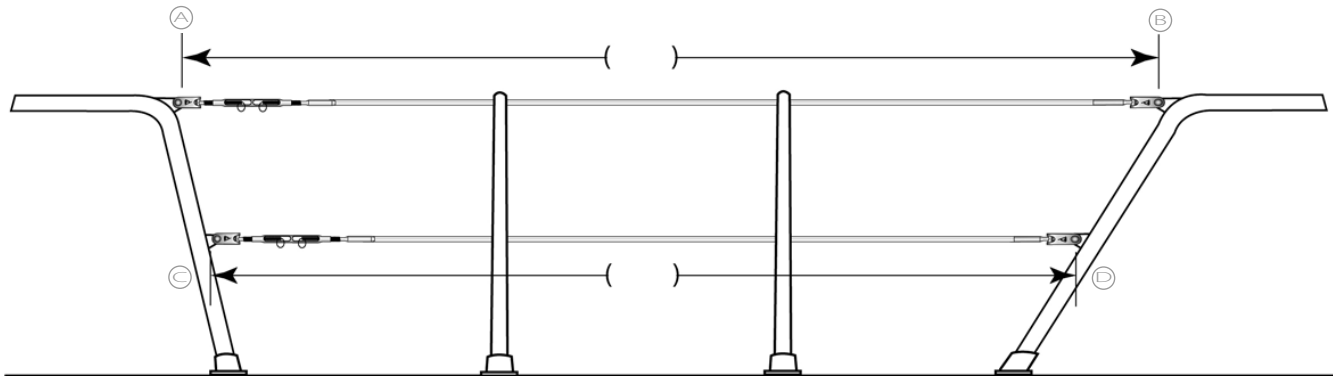
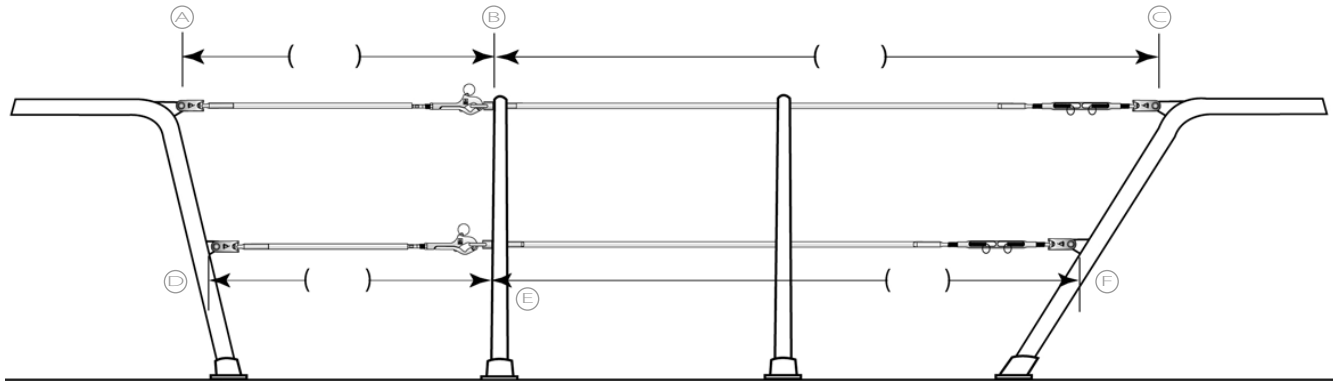


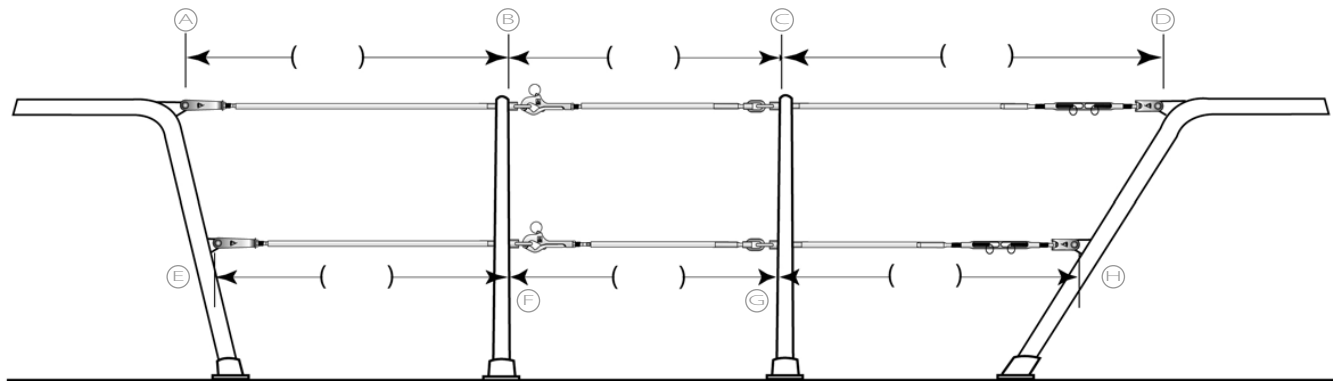
# Measurement Form



NO GATE



AFT GATE



MIDSHIP GATE



Whats Next?

Simply fax the form to **604-709-0630** or enter it online at [www.SWRigging.com/Measurements/](http://www.SWRigging.com/Measurements/)